

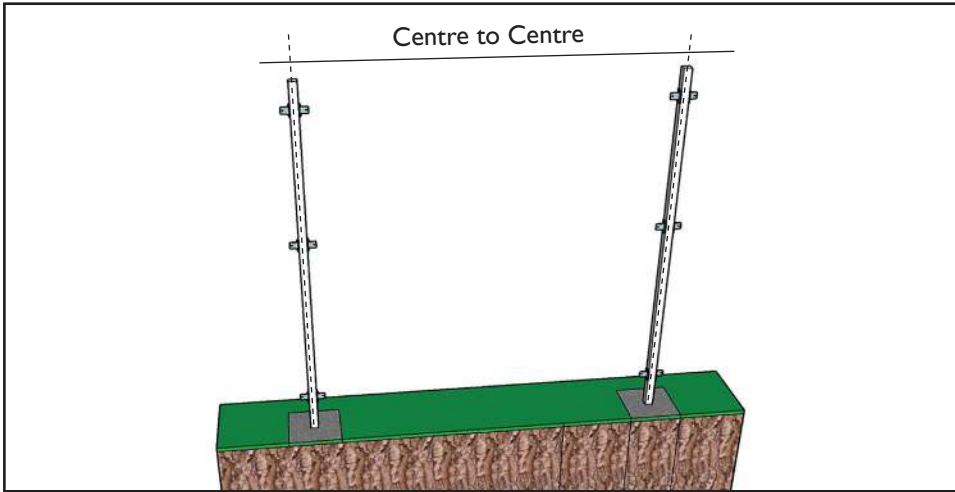
CEQUENCE

CEQUENCE DOUBLE SIDED GARDEN FENCING



INSTALLATION MANUAL

CEQUENCE



1

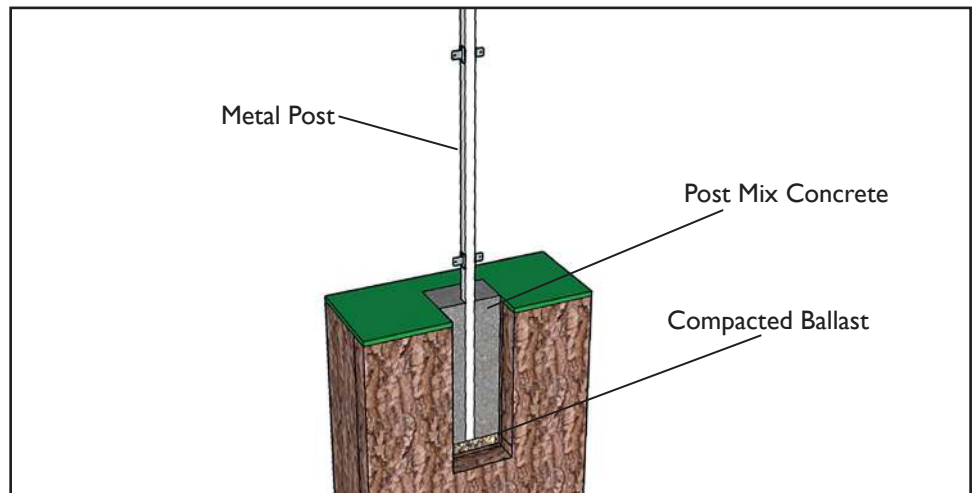
Cequence metal posts to be set out with centres equal to the width of the fence panel to be installed.

When at the end of a fence run the panel should end to the outer side of a post.

2

Install Cequence metal posts into ground.

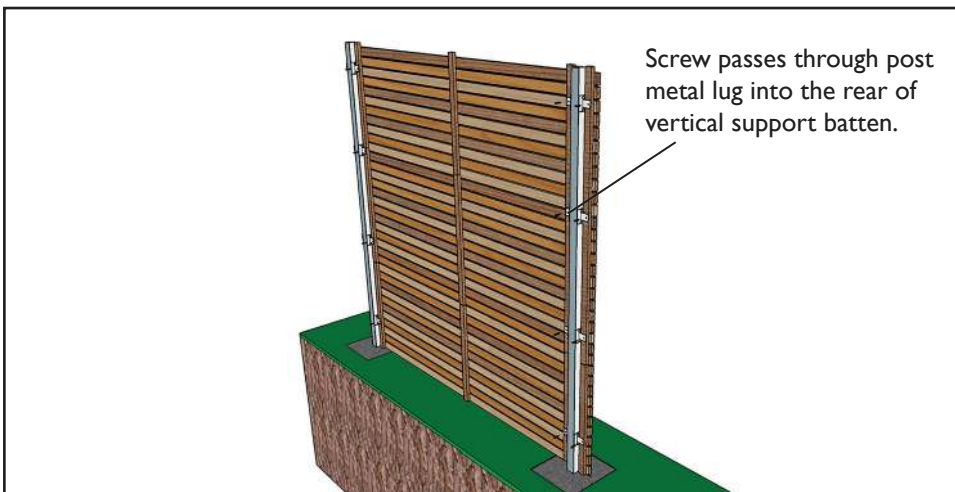
Posts are available for panels up to 2100mm high.



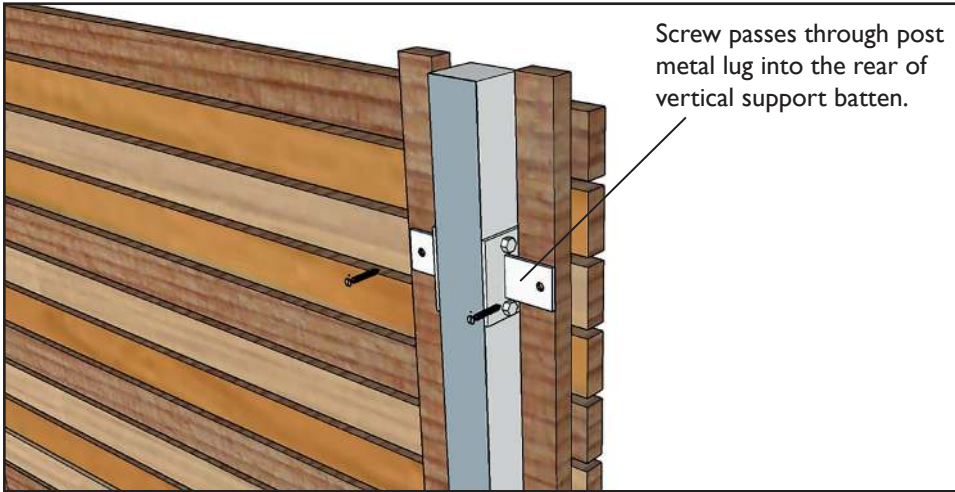
3

Attaching the first panel side to the double sided post.

Intermediate panels are fixed midway to the front of the post.



CEQUENCE



4

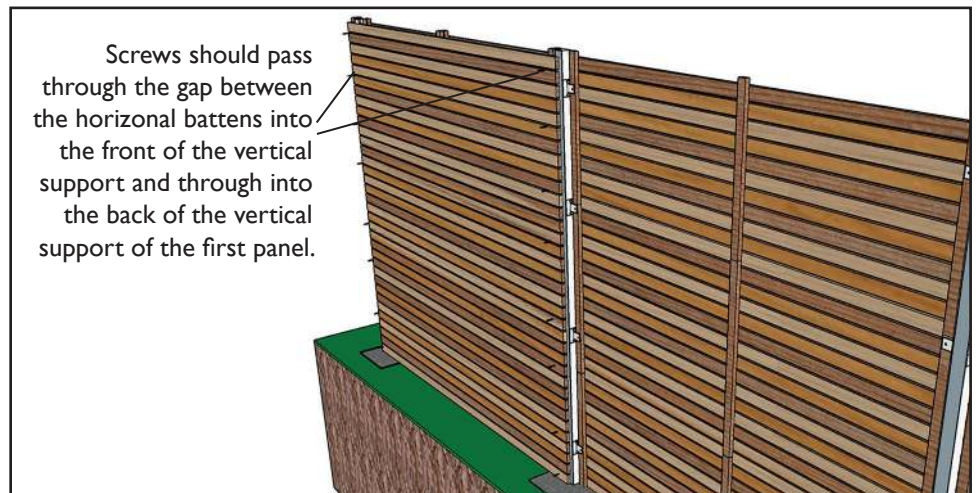
For end of a fence run the panel should be fixed to the outer side of a post.

5

Attaching the second panel side to the double sided post.

The second panel is fixed against the first panel encapsulating the post.

Use 30mm stainless steel screws every four battens.

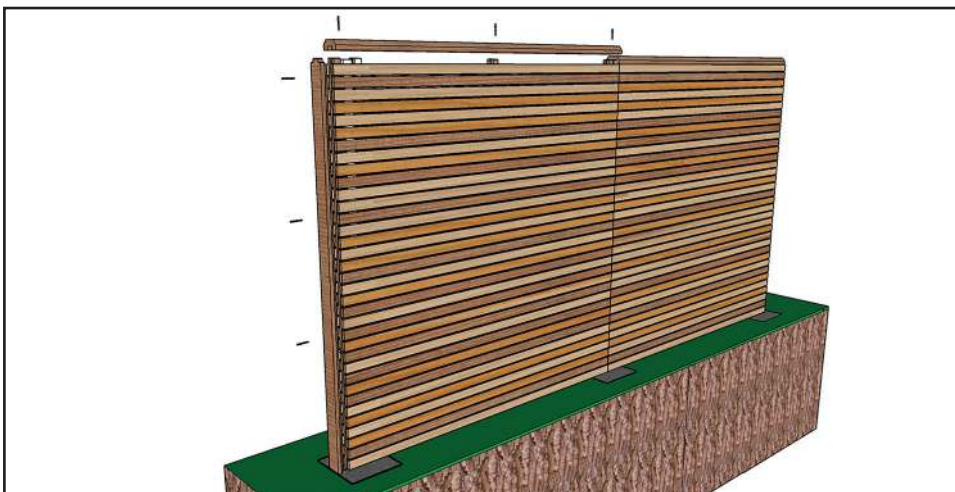


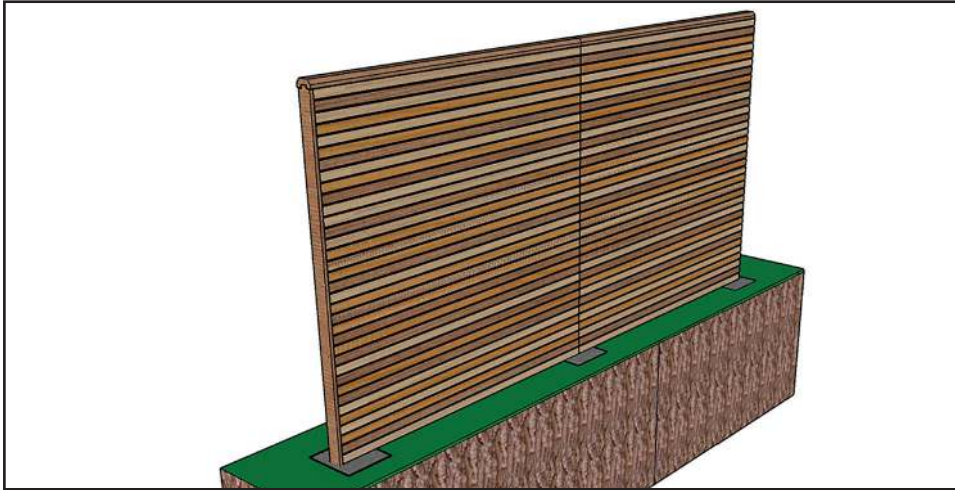
Screws should pass through the gap between the horizontal battens into the front of the vertical support and through into the back of the vertical support of the first panel.

6

The Capping Rail is pushed down onto the top of the back batten upstands.

3off 63mm cedar coloured powder coated stainless steel screws should be used to fix the capping rail into position.





7

Completed double sided garden fencing panel.